

# SRS Type

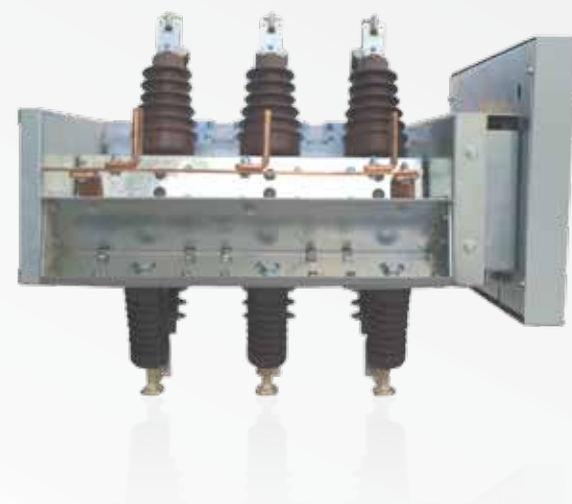
## Rotary Disconnectors



- > Reliable Manufacturing
- > With Capacitive Voltage Indicator
- > Applicable to All Type of Switchgears
- > Related Standard IEC 62271-102

# SRS Type

## Rotary Disconnectors



- > In case of on-load switching operation is not necessary, the disconnect operation can be done safely without requiring any other switching equipment.
- > In case of on-load switching operation is necessary, together with connectors or Circuit Breakers, the disconnecting operation can be done safely.
- > SRS Type Rotary Disconnectors are manufactured according to IEC 62271-102 standards as 3 poles and 2 positions.
- > SRS Type Earthing Disconnectors are manufactured according to IEC 62271-102 standards.
- > Together with SES Type Earthing Disconnectors, SRS Type Rotary Disconnectors can be used as 3 poles and 3 positions.
- > Disconnector position indicators are available at the operation mechanism.
- > Due to the air insulation type, SRS Rotary Disconnector positions can be observed easily.
- > In case of a fault at the poles, related pole contacts can be easily replaced and the Disconnectors can continue to the operation with very low cost.
- > SRS Type Rotary Disconnector operation mechanisms provide interlock between Disconnectors and earthing disconnectors to protect non-proper operation.
- > SRS Type Rotary Disconnector operation mechanisms provide mechanical interlock between switchgear doors and disconnectors to protect non-proper operation.
- > SRS Type Rotary Disconnector operation mechanisms provide mechanical interlock between disconnector and circuit breaker to protect non-proper operation (Disconnector and Circuit Breaker interlocks should be coupled).
- > Enough free space onto frame to install SVI and SVI + Ex -RO Capacitive Voltage Indicators.
- > In case of need 1 pcs Com - NO - NC Auxiliary Contact can be optionally installed.

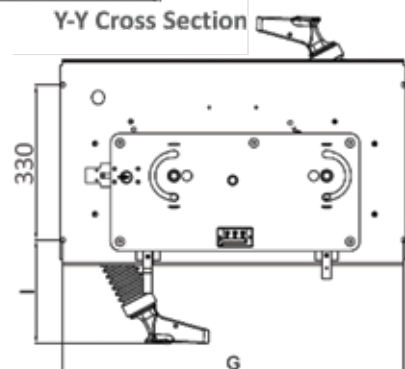
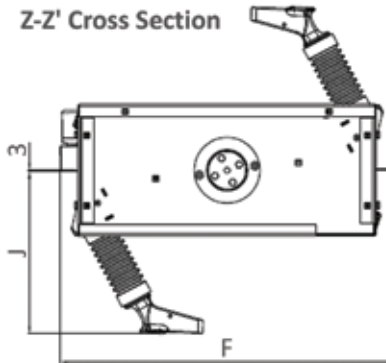
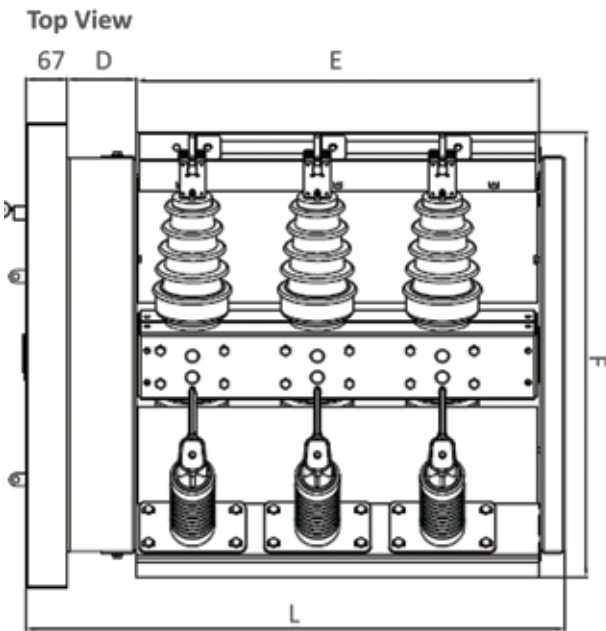
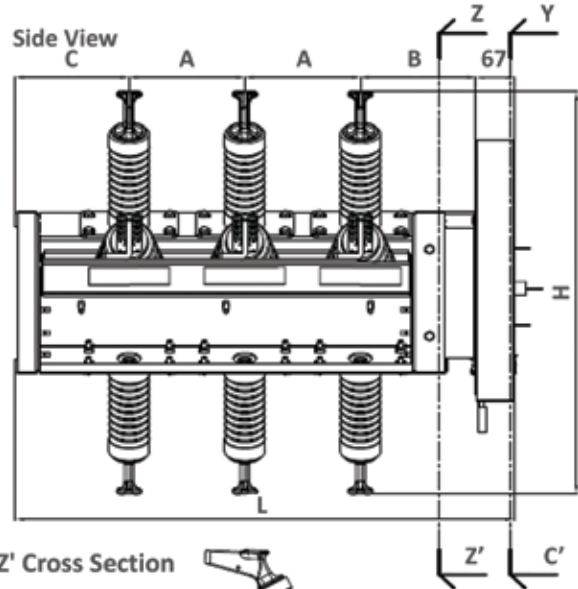
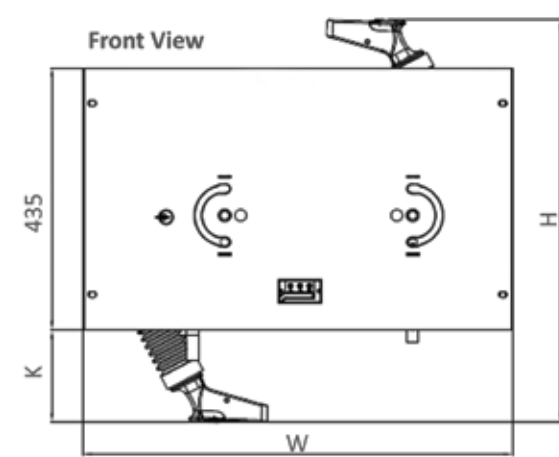
### Technical Specifications

Product Code	Product Type	Ur (kV)	Ir (A)	Ik (kA)	tk (s)	Ud (kV)	Up (kV)	Ip (kA)
115.42.651.ND01-1	SRS - 12/630 - 1601	12	630	16	1	28	75	40
115.42.651.NF01-1	SRS - 12/630 - 2501	12	630	25				63
115.42.651.RD01-1	SRS - 12/1250 - 1601	12	1250	16				40
115.42.651.RF01-1	SRS - 12/1250 - 2501	12	1250	25				63
115.44.651.ND01-1	SRS - 24/630 - 1601	24	630	16	1	50	125	40
115.44.651.NF01-1	SRS - 24/630 - 2501	24	630	25				63
115.44.651.RD01-1	SRS - 24/1250 - 1601	24	1250	16				40
115.44.651.RF01-1	SRS - 24/1250 - 2501	24	1250	25				63
115.45.651.ND01-1	SRS - 36/630 - 1601	36	630	16	1	70	170	40
115.45.651.NF01-1	SRS - 36/630 - 2501	36	630	25				63
115.45.651.RD01-1	SRS - 36/1250 - 1601	36	1250	16				40
115.45.651.RF01-1	SRS - 36/1250 - 2501	36	1250	25				63

**Ur** : Rated voltage  
**Ir** : Rated Current  
**Ik** : Rated short time current  
**tk** : Rated duration of short time circuit

**Ud** : Rated power frequency withstand voltage  
**Up** : Rated impulse withstand voltage  
**Ip** : Rated peak withstand current

Dimensions														
Product Code	Product Type	L (mm)	H (mm)	W (mm)	A (mm)	B (mm)	C (mm)	D (mm)	E (mm)	F (mm)	G (mm)	I (mm)	J (mm)	K (mm)
115.42.651.ND01-1	SRS - 12/630 - 1601	862	700	742	200	200	195	110	645	713	725	220	345	159
115.42.651.NF01-1	SRS - 12/630 - 2501	862	700	742	200	200	195	110	645	713	725	220	345	159
115.42.651.RD01-1	SRS - 12/1250 - 1601	862	700	742	200	200	195	110	645	713	725	220	345	159
115.42.651.RF01-1	SRS - 12/1250 - 2501	862	700	742	200	200	195	110	645	713	725	220	345	159
115.44.651.ND01-1	SRS - 24/630 - 1601	1062	780	992	250	250	245	110	845	963	975	280	385	219
115.44.651.NF01-1	SRS - 24/630 - 2501	1062	780	992	250	250	245	110	845	963	975	280	385	219
115.44.651.RD01-1	SRS - 24/1250 - 1601	1062	780	992	250	250	245	110	845	963	975	280	385	219
115.44.651.RF01-1	SRS - 24/1250 - 2501	1062	780	992	250	250	245	110	845	963	975	280	385	219
115.45.651.ND01-1	SRS - 36/630 - 1601	1462	890	992	350	350	345	110	1245	908	960	320	445	259
115.45.651.NF01-1	SRS - 36/630 - 2501	1462	890	992	350	350	345	110	1245	908	960	320	445	259
115.45.651.RD01-1	SRS - 36/1250 - 1601	1462	890	992	350	350	345	110	1245	908	960	320	445	259
115.45.651.RF01-1	SRS - 36/1250 - 2501	1462	890	992	350	350	345	110	1245	908	960	320	445	259



## Medium Voltage Switchgears

Orta Gerilim Hücreler

## Switching Equipments

Anahtarlama Ürünleri

## Kiosk Type Substations

Köşk Tipi Trafo Merkezleri

## Mobile Substations

Mobil Trafo Merkezleri

## Distribution Transformers

Dağıtım Trafoları

## Resistor Banks

Dirençler

## Power Quality Solutions

Enerji Kalitesi Çözümleri

## Medical Power Distribution

Tıbbi Güç Dağıtım Sistemleri

## Power Capacitors & Reactors

Kondasatör ve Reaktörler

## AMR, AMM & Billing

Sayaç Otomasyonu ve Faturalama

## Measuring & Management

Ölçme ve Yönetim Sistemleri

## Secondary Protection Relays

Sekonder Koruma Röleleri

## Earth Leakage Relays

Kaçak Akım Röleleri

## Power Converters & Rectifiers

Yüksek Güç Dönüştürücüleri ve Redresörler

## Solar Power Solutions

Güneş Enerjisi Çözümleri

## Traction Substations

Cer Gücü Dağıtım Merkezi

## Depot Area Solutions

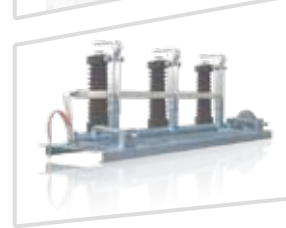
Depo Alanı Çözümleri

## On-Board Equipment

Araçüstü Ekipmanlar

## Eubiq Flexible Power Outlet System

Eubiq Esnek Fiş - Priz Sistemleri



### Headquarter Merkez

### Factory Fabrika